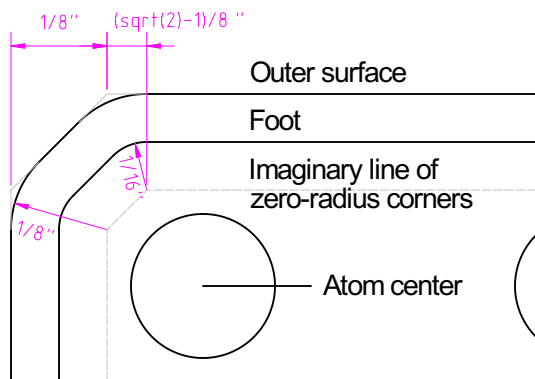
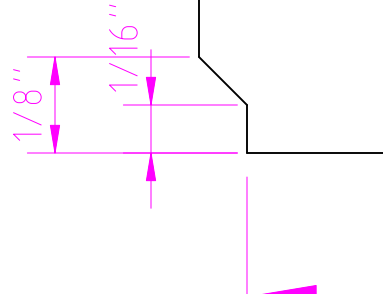


TOGridPile

Outer corner and foot (nominal dimensions)



Bottom Corner



X/Z Cross-Section (nominal dimensions)

